

NOTICE

General instructions for the Installation and use of hearths and inserts

CONFORMING TO THE EUROPEAN STANDARD EN13229

All our appliances conform to the standards in force and meet the safety requirements.
The installation of our appliances must be done by competent personnel,
respecting the DTU 24.2.2

ALL THE LOCAL AND NATIONAL REGULATIONS, IN PARTICULAR THOSE
THAT REFER TO NATIONAL AND EUROPEAN STANDARDS MUST BE RESPECTED
WHEN INSTALLING THE STOVE

Please read carefully these **general instructions**, together with the complementary
special instructions also delivered with the stove

RULES OF INSTALLATION

SITUATION

The appliance must be installed in the room, used the most frequently, in general the living room. It must be placed against a wall and near the flue.

SUPPORT WALL, BASE AND EMBEDDING

The materials used must be suitable for the installation, that is to say fireproof and heat resistant.

To :

- 1 Limit overheating of the casing walls to 65 K (K= C above ambient temperature)
- 2 Obtain the best performance from the appliance.
- 3 Have an access to the control components
- 4 Preserve sufficient travel for the moving parts.
- 5 Have an access for the maintenance of any parts that need to be replaced .

Insure the instructions of embedding given on the chart joined to the appliance, in particular :

- 1 Insulation of the vertical walls with insulator Rock wool, conductivity < 0.04 W/m °C, mini thickness 50 mm, covered with aluminium foil exposed to the heat radiated by the appliance.
- 2 Installation of a convection system around the hearth to cool it and warm the room where it is installed.
- 3 Insure a minimum spacing between insulator and the appliance.
- 4 Protection of the floor standing the appliance on a base of high alumina cement, conductivity 2 W/m °C, thickness 40 mm.

The weight of the installation can be significant, it's necessary to check that the base has been designed and dimensioned to accept this load, if not, a load distribution plate can be a solution.

FLUE

It is prohibited to connect more than one appliance to the same flue.

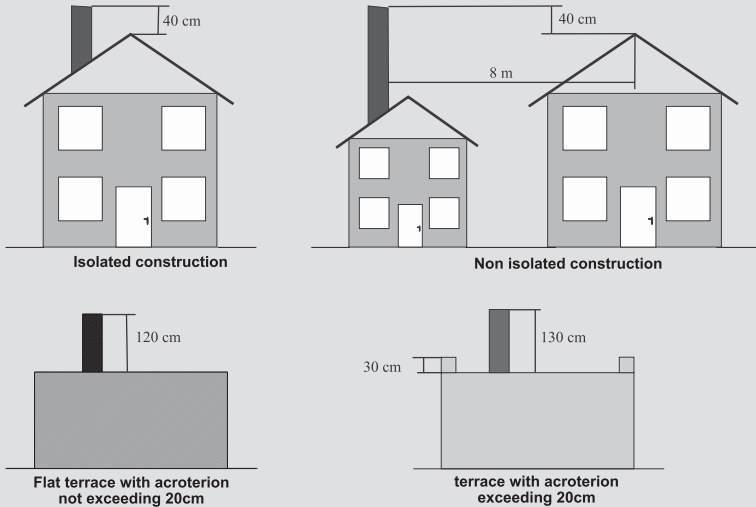
The flue must have a minimum section of 4 dm² (for example 20x20cm) for appliances where the exit pipe diameter is less than 200mm and 6.25 dm² (for example 25x25 cm) for the appliances whose pipe diameter is above or equal to 200mm.

This section must be uniform for the whole height, with smooth walls and without restrictions.

The passage of the smoke should be as straight as possible, with not more than 2 bends, the angle of which to the vertical should be less than 20°.

If the duct is new, the bushels should carry the NF mark (or the appropriate mark in force in the country). If an existing duct is being used, its compatibility, its sealing, its condition and its general stability should be checked. If it is not compatible, a cannulation using a proprietary process with a suitable technical opinion or a lining carried out by a qualified installer are necessary. Draught created by your smoke flue must be sufficient but however be limited. That requires in any case an adapted damper.

Roof exit : it must comply with the following regulations :



THE CONNEXION PIPE

A direct connection of the flue to the stove outlet is possible when the flue is designed to resist temperatures up to 500°C. Otherwise, the connection must be indirect, and, as a consequence, achieved by a single wall metal pipe. The connection to the outlet of stoves and inserts must always be by an interlocking fitting of a min of 40mm. A variation in the section of the connection pipe is tolerated provided that its angle to the vertical does not exceed 45°.

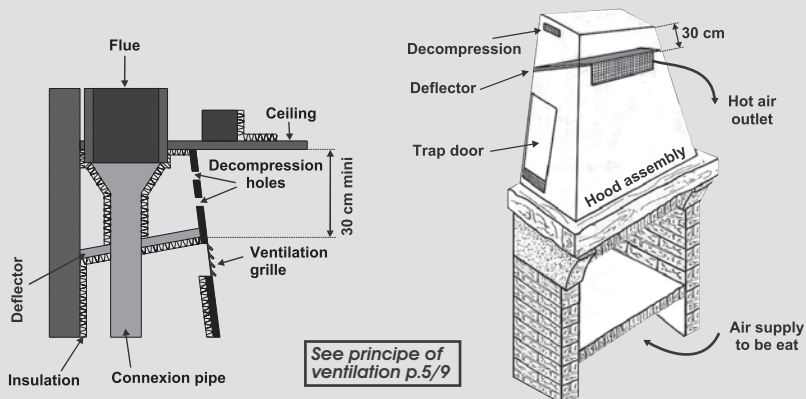
INSTALLATION OF THE HOOD

The ventilation grille of the hood must be situated as high as possible, without however being less than 30cm from the level of the ceiling.

The interior of the hood must be accessible to allow the checking of the connection pipe by the ventilation grille of the hood if it is dismantable, or by an inspection trap door.

The access to the hood must allow its cleaning in order to avoid an accumulation of dust.

The circulation of air around the appliance must be adequate. Notably on the grid of ventilation which became obstructed makes the installation dangerous.



INSTALLATION OF A STOVE INTO AN EXISTING FIREPLACE

The appliance can be installed into any chimney in good condition, consisting of fireproof materials. No part of the existing masonry can or should be removed in order to enlarge the space necessary for the installation of the appliance. If the masonry is found to have deteriorated or be defective, this needs to be adequately repaired, preferably by a professional, before the installation of the appliance.

All the combustible materials or materials which will degrade with heat on or inside the partitions (walls, floors, ceiling), at the site of the chimney, if this is in contact with these partitions must be removed. Any possible insulation required must be realized with fireproof insulation, of a sufficient thickness, such as special high temperature rockwool with aluminum or with ceramic fibre with aluminum facing.

Before installing the appliance, it is necessary to prepare its connection to the flue. It is essential to close the interior of the chimney, high up, by using a sheet or any other suitable fireproof material, able to withstand without damage high temperature.

This sheet metal must first have a hole cut to allow the passage of the flue.

DIMENSIONING THE FRESH AIR INTAKE

Wood consumes oxygen when it burns. A deficit of new fresh air can cause bad combustion (production of unburnt residues and carbon monoxide), and in consequence significant medical risks. If the habitation is equipped with a mechanical system of air extraction (VMC), a supplementary air intake is obligatory for the room where the stove is positioned. In any event, this air supply is recommended.

The section of the air supply pipe, must be at least 4 dm². This air supply can be blocked when the appliance is not functioning and must not be placed facing the dominant winds but on the leeward wall, or better at the sides.

During the performance of the appliance, to make sure that it is free of any obstruction. If other fireplaces can be brought into service simultaneously, to envisage sections of supplies of fresh air additional for these appliances.

MAINTENANCE

A daily removing of the cinders must be carried out. The grid must be cleaned. A visual check of the appearance of the flames makes it possible to identify a malfunctioning.

DO NOT USE A SPRAY TO CLEAN THE GLASS. ITS USE ON THE PAINTED CAST IRON PARTS OF THE STOVE COULD PERMANENTLY DAMAGE ITS COATING !

Once each year, the connection pipe and the regulation system of draught (damper) must be checked. In the event of wear or breakage of the parts of the appliance, only use our replacement parts. Any modification of the appliance is strictly forbidden.

CLEANING THE CHIMNEY

The chimney cleaning mechanical must be done twice each year, once being during the season, of use. It must be done by a qualified company which will issue, after the work, a certificate of cleaning.

REGULATIONS

All our appliances conform to the standards in force and meet the requirements for safety. The installation of our appliances must be done by competent personnel, respecting the DTU 24.2.2. Refer to the technical specification for the dimensions of the unit and the use.

OPERATING CHARACTERISTICS

CLOSED STOVE/ VERTICAL CIRCUIT OF CONVECTION

The structure is arranged to allow an air circulation to hear upward

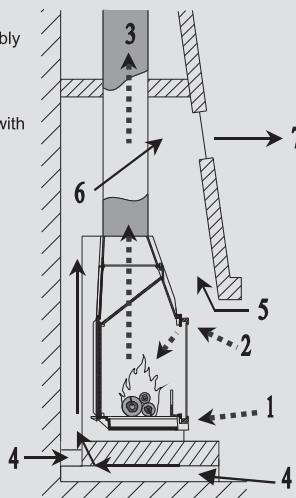
In a simplified way, the stove is connected to a flue, then the assembly is housed in a chimney. In order to permit the heat exchange, it is necessary to leave a space between the appliance and the wall. This ensures, due to the openings at the top and the bottom of the assembly, a circulation of ambient air which is reheated on contact with the appliance.

For the combustion

- 1- Primary air intake for the regulation of the combustion (ash pan)
- 2- Secondary air intake, keeps the window clean
- 3- Evacuation of the smokes

For the convection

- 4- Fresh outside air intake for heating by the base, convection air
- 5- Fresh air for heating between the appliance and the casing
- 6- Movement air for heating
- 7- Hot air exit on the hood



THE INSERTS / HORIZONTAL CIRCUIT OF CONVECTION

One use the structure just as it is, without possibility of installation, the air to be heated enters and arises horizontally

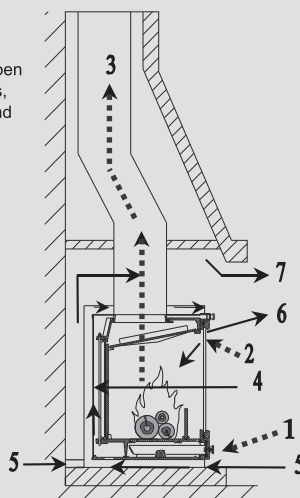
Contrary to the closed stove, the inserts are intended for existing open chimneys. They are 'ready to be inserted' and are equipped from us, with a careenage which ensures the circulation of ambient air around the appliance and which allows the transfer of heat.

For the combustion

- 1- Primary air intake for the regulation of the combustion (ash pan)
- 2- Secondary air intake, keeps the window clean
- 3- Evacuation of the smokes

For the convection

- 4- Movement of hot air around the insert
- 5- Frontal entry external of fresh air for heating
- 6- Frontal air hot exit
- 7- Hot air exit at the front of the structure



CHIMNEY FIRES

THE CAUSES

A chimney fire is a consequence of the ignition of deposits which cover the interior walls of the pipe. When the fire burns slowly or when one uses green wood or wet wood, there is a significant production of creosote, a very inflammable material. If these deposits set on fire at the base of the pipe, they can cause a violent fire.

THE SYMPTOMS

A chimney fire is characterized by :

- an odor of soot in the house,
- An unusual 'whirr' in the pipe work,
- A significant increase in the temperature of the chimney,
- The emission of sparks, and fumes coming from the outlet of the chimney.

If all (or several) of these phenomena are present, it is imperative to call the fire department as a matter of urgency. Indeed the intense heat released by the fire, can cause the pipe work to crack and the fire to then spread to the floors and the frames.

EXTINCTION OF THE FIRE

Whilst waiting for the fire service, choke the fire in the stove by using sand or earth then evacuate the house.

THE PRECAUTIONS TO TAKE

Never relight the stove before having checked the possible damage done to the chimney and the pipe work, and made any repairs using a professional.

The installation of the chimney and the stove must be realized by a professional and must meet the requirements of the DTU 24 .2.2 : 'Fireplaces equipped with a stove or an insert use only wood as fuel ' and the DTU 24.2.1 referring to the chimney pipework.

These documents define the characteristics of the products as well as the conditions of use.

Our responsibility is limited to the supply of the stove. Its installation must be carried out according to the recommendations and this notice and the professional rules, by competent and qualified personnel, acting in the name of companies prepared to assume the whole responsibility for all of the installation.

SAFETY RULES

- Never try to extinguish the fire with water
- Be careful of the glass, which gets very hot. Keep children away from it.
- The stove gives out a lot of heat through the glass, so keep heat-sensitive materials and objects at least 1.50 meters away from it.
- Empty the ash pan into a special metal or otherwise inflammable receptacle used only for this purpose. Ashes that might appear cold can still be very hot, even if you think they have had enough time to get cold.
- Do not put easily flammable materials near the appliance or in the wood store.
- Never put into the stove loads of wood that exceed those indicated in the "Instructions for use" (i.e. less than half the height of the combustion chamber).
- The use of fuels that are not recommended and unsuitable for the stove are forbidden, including liquid fuels.
- The combustion chamber must always remain closed, except during reloading and removing ash.
- Never overheat the stove.
- Using the stove as an incinerator is forbidden.
- Manufacturer's spare parts must be used.

CAUSES OF POOR FUNCTIONING

PROBLEM	PROBABLE CAUSES	ACTION
The fire takes badly The fire does not hold	Green wood or wood too wet	Use hard wood, cut at least 2 years ago and having been stored in a ventilated shelter.
	The logs are too large	To light, use ruffled paper and very dry small pieces of wood. To keep the fire in, use split logs.
	Poor quality wood	Use hard wood, releasing much heat and producing good embers (charm, oak, ash, maple, birch, elm, beech, etc...).
	Insufficient primary air	Open wide the primary air shutter. (ash pan) Open the exterior fresh air intake grille.
	Insufficient draught	<ul style="list-style-type: none"> ■ Check that the pipe work is not obstructed, do a mechanical brushing if necessary ■ Check that the flue conforms
The fire races	Excess of primary air	Partially or completely close the primary air shutter. (ash pan)
	Excessive draught	<ul style="list-style-type: none"> ■ Verify that the draught valve is not staying open. ■ Install a draught regulator.
	Poor quality wood	Do not continually burn small wood, faggots, off cuts from joinery (plywood, pallets,...). To proscribe the pallets.
Emanation of lit fumes	The flue is cold	Heat the pipe work by burning a paper torch in the stove.
	The stove is under low pressure	In houses equipped with a VMC, half open an exterior window until the fire is well lit.
Emanation of fumes during combustion	The draught is insufficient	<ul style="list-style-type: none"> ■ Verify the conformity of the flue and its insulation. ■ Verify that the pipe work is not obstructed, do a mechanical brushing if necessary.
	The wind swirls in the pipe work	<ul style="list-style-type: none"> ■ Install an anti compressor on the crown.
	The appliance is under low pressure	In houses equipped with a VMC, it is necessary to install a complementary exterior air intake for the chimney.
Insufficient heat	Poor quality wood	Only use the fuel recommended.
	Poor mixing of convection hot air	<ul style="list-style-type: none"> ■ Verify the convection circuit (entry grilles, diffusion grille, air pipe work) ■ Verify that the neighboring rooms are equipped with an aeration grille to assist the circulation of hot air.
The glass gets dirty in a short time	Draught insufficient	<ul style="list-style-type: none"> ■ Check the conformity of the flue of the chimney with the exigencies required and its insulation
	Absence of air intake of outside	Install an air intake grate (intake air with regulation cut from 4dm ² (20x20cm for ex) near the chimney
	Use of wet wood or not adapted	Use hardwood dry, preserved during 2 years at the shelter.
	No sufficient air intake by the grate	Check the state of the fireproof connections Widen the interstices between the glass and the edging of the door while adding to the places of fixing with largest connections.
Fast wear of the cast iron elements Grate deformed	Insufficient ventilation Misses ventilation of the grate by the ash pan	Check the air circulation recovering the heat of the fire place, increase the openings and the grates of ventilation. Check if the system of ventilation isn't blocked by closed grates, use non adjustable grates. Empty every day the ash pan.
The joint's door comes unstuck	Excessive use of aggressive liquid during the washing of the glass	Use the liquid so that it doesn't flow under the glass or wash with a foamy product.
Condensation into the hearth	Damp wood combustion with small fire and closed glass	Use hardwood dry, preserved during 2 years at the shelter. Take care, wood newly cut have approximately 5 L water for 10 kg.
No exit of hot air of the insert	No electricity Defective ventilator	<ul style="list-style-type: none"> ■ Check if there is current. Connect always the cable directly on a integrated catch. Not make fire without current or use another supply. Change the defective element.

■ This sign recommends that you should use the services of a qualified professional to effect these operations.

CONTRACTUAL WARRANTY

Commercial warranty applicable to consumers.

For information, in addition to legal warranties, the INVICTA GROUP provides a contractual warranty for consumers only, and therefore excluding professional customers, covering fireplaces, inserts, wood-burner stoves, pellet stoves, wood-burner and oil-fired ranges with back boilers, gas heating and cooking appliances, in line with the conditions below, subject to settlement of the invoice issued by the INVICTA GROUP. In the event of difficulty applying this warranty, prior to any legal action, consumers have the possibility of seeking an amicable solution by contacting the INVICTA GROUP After-Sales Department. Pursuant to Article L 217-16 of the French Consumer Code, when, during the course of the commercial warranty granted on purchase or repair of an item, reconditioning covered by the warranty is requested from the vendor by the buyer, any period in which the item is out of service for more than seven days will be added to the remaining warranty period still to run. This period runs from the time when the buyer requests a repair service or when the item in question is made available for repair, if availability is subsequent to the request for repair.

Territoriality

The commercial warranty for the consumer applies in all countries where the Products are sold by the INVICTA GROUP.

Content and period

Heating appliances (fireplaces, inserts, wood-burning stoves, pellet stoves, oil stoves and ranges with back boilers, wood-burner ranges with back boilers, gas heating appliances): Heating units (non-removable parts) are covered by the consumer warranty from the date of delivery by the haulier or to the sales outlet, for the following periods:

- 5 years for fireplaces, inserts, wood-burner and ranges with back boilers, sold under the INVICTA, LAUDEL or DEVILLE brand names,
- 2 years for pellet stoves sold under the INVICTA, LAUDEL or DEVILLE brand names,
- 2 years for oil-fired stoves and ranges with back boilers sold under the INVICTA, LAUDEL or DEVILLE brand names,
- 2 years for wood-burner ranges with back boilers sold under the INVICTA, LAUDEL or DEVILLE brand names,
- 2 years for gas heating appliances sold under the INVICTA, LAUDEL or DEVILLE brand names.

Electrical parts (extractors, ventilators, electronic cards) of pellet stoves sold under the INVICTA or DEVILLE brand names, together with electrical parts (electronic cards) of gas heating appliances sold under the INVICTA, LAUDEL or DEVILLE brand names come with a 2-year warranty.

Other components, such as:

- latches, screws and bolts, ventilators, printed circuits, switches, connector terminals, electric wires, electric sheaths for fireplaces, inserts, and wood-burners sold under the INVICTA, LAUDEL or DEVILLE brand names,
 - latches, screws and bolts, decorative back-plates and deflectors of pellet stoves sold under the INVICTA, LAUDEL or DEVILLE brand name
 - latches, screws and bolts, distributors, buttons and burners of oil-fired stoves and ranges with back boilers sold under the INVICTA, LAUDEL or DEVILLE brand names,
 - handles, screws and bolts, bricks and thermometers of wood-burner ranges with back boilers sold under the INVICTA, LAUDEL or DEVILLE brand names,
 - handles, screws and bolts and burners of gas heating appliances sold under the INVICTA, LAUDEL or DEVILLE brand names,
- are covered by the consumer warranty for 2 years from the date of delivery by the haulier or to the sales outlet. During this period, the warrant applies to any material or manufacturing fault, provided appliances have been used correctly in line with the user manual supplied with the appliance and all applicable regulations. Proof of purchase of the Product (invoice, detailed checkout receipt) and photos of the product will be requested to process any complaints. The warranty is only valid if the appliance was installed at the address on the warranty certificate supplied with the appliance and if the buyer registered the warranty on the www.invicta.fr Internet site or via the freephone telephone number **0.809.10.00.13**, it being specified that, in any event, the consumer must produce proof of purchase of the Product to activate the warranty. The warranty is limited to free replacement of parts acknowledged to be faulty after verification by the INVICTA GROUP. If it proves too costly to replace the parts, the INVICTA GROUP may decide to replace the product. In any event, no damages of any kind or in any form may be requested of the INVICTA GROUP.

The INVICTA GROUP is released from any obligation relating to the warranty in the event of non-compliant installation of the Product in terms of legal, regulatory and/or administrative recommendations or professional practice or in the event of modification of the Product.

The commercial warranty is non-applicable in the event of professional use.

Other contractual warranty exclusions:

Removable external parts,

- Normal wear and tear of the Product, such as a change in aspect (colour, brilliance) or corrosion, as well as mobile or fixed internal parts of the Product made of steel or cast iron, the consequences of poor or no servicing of the Product, an accident, negligence or a mistake when handling the Product and, generally speaking, failure to comply with the recommendations for use and servicing and, in particular, servicing by qualified personne,
- Since the 750°C resistant glass and temperatures in the combustion unit never reach this temperature, the glass cannot break due to overheating. Consequently, a broken glass due to incorrect handling during use or servicing of the appliance is not covered by the warranty
- The seals of any heating appliance, pellet stove crucibles and igniters for pellet stoves and gas heating appliances that are considered to be wear and tear parts,
- The combustible elements used and the appliance duct which are beyond the control of the manufacturer, the parts of the fireplace in contact direct or otherwise, with ignited combustible elements, such as:
 - decorative back-plates, fireplace baskets, deflectors, fire dogs in inserts, wood-burner and ranges with back boilers, sold under the INVICTA, LAUDEL or DEVILLE brand names,
 - decorative back-plates and deflectors of pellet stoves sold under the INVICTA, LAUDEL or DEVILLE brand names,

CONTRACTUAL WARRANTY

- diffuser tubes, wicks, igniters and cast iron rings of oil-fired stoves and ranges with back boilers sold under the INVICTA, LAUDEL or DEVILLE brand names,
 - refractory bricks, fireplace baskets and deflectors of wood-burner ranges with back boilers sold under the INVICTA, LAUDEL or DEVILLE brand names,
 - decorative back-plates and deflectors of gas heating appliances sold under the INVICTA, LAUDEL or DEVILLE brand names,
- Also excluded from the warranty is any malfunction caused by mechanical or electric parts not supplied by the Product manufacturer and/or which are prohibited by laws governing heating appliances. Damage caused by the use of a combustible substance other than the one intended for use with the Product concerned.

Costs relating to travel, transport, labour, packing, dismantling and the consequences of the appliance standing idle, resulting from warranty operations, are to be paid by the customer. The warranty does not cover any total or partial, direct or indirect damage resulting from abnormal, negligent or improper use of the Product non-compliant with the recommendations for use and/or servicing or due to a cause beyond the intrinsic properties of the Product.

Transfer of the warranty

The warranty is linked to the Product sold by the INVICTA GROUP and is automatically taken over by any new owner for the period still to run.

Price for the warranty

The commercial warranty as defined above does not involve any payment by the consumer.

SUPPLEMENT TO THE CONTRACTUAL GUARANTEE

Legal clauses

In addition to the specific product guarantee applicable, Customers also benefit from the following statutory warranties:

The statutory warranty that the product is of satisfactory quality, fit for purpose and as described (as per articles L. 217-1 et seq of the French Consumer Code) and the defects warranty (as per articles 1641 to 1648 and 2232 of the French Civil Code):

- Article L217-4 of the French Consumer Code: "The seller shall deliver a product that is compliant with the contract made with the customer and is liable for any defects existing at the time of delivery. It is also liable for defects resulting from packaging, assembly instructions or installation when it is responsible for and has carried out such installation as per the contract."

- Article L217-5 of the French Consumer Code: "The product is compliant:

1° If it is fit for purpose and, where applicable:

- if it is as described by the seller and has the properties presented by the seller to the buyer in the form of a sample or model;
- if it has the properties a buyer can legitimately expect given the public claims made by the seller, the producer or its representative, particularly in advertising or labelling;

2° Or if it has the particular features agreed by the parties or is fit for any specific use sought by the buyer and notified to and accepted by the seller."

- Article L217-12 of the French Consumer Code: "Actions resulting from non-compliance are limited to two years from delivery of the product."

- When making a claim under the statutory warranty, consumers:

can choose between repair or replacement of the product, subject to the cost terms stipulated by article L. 217-9 of the French Consumer Code; are released from providing proof of the defect for a period of six months after the delivery of the product.

This period is increased to twenty-four months from 18 March 2016, except for second hand goods.

- Article 1641 of the French Civil Code: "The seller is liable under the applicable warranty for hidden defects that make the product unfit for its specified purpose, or limit its use to such an extent that the buyer would not have purchased it, or would only have paid a lower price for it, if he/she had known about such defects."

- Article 1644 of the French Civil Code: "In the case of articles 1641 and 1643, the buyer has the choice to return the product and obtain a full refund, or keep the product and have a partial refund, the amount to be determined by experts."

- Article 1648 first para of the French Civil Code: "Actions resulting from redhibitory defects must be brought by the buyer within a period of two years from the discovery of the defect."

- NAME AND ADDRESS OF GUARANTOR: INVICTA GROUP SAS, ZI LA GRAVETTE, 08350 DONCHERY.

invicta | group |

WARRANTY EXCLUSIONS ANNOUNCED APPLY ONLY TO CONTRACTUAL WARRANTY